



ERDWICH

... SHREDDING UNLIMITED ...

ERDWICH
THREE-SHAFT-SHREDDER
M-H480/3-750
M-H480/3-1000
M-H480/3-1250



Advantages and special features

ERDWICH M-H480/3

■ Simple maintenance:

- | Individually fitted, replaceable cutters, spacing rings and sweepers
- | Central, pivotable screen basket with individual screen sections

■ Savings on operating costs:

- | Long service life guaranteed by cutters from custom blade steel, fully hardened to permit repeated re-sharpening
- | Hard-wearing screen sections from custom steel

■ Precise shredding:

- | High-precision cutter assembly with cutting widths and cutter shapes tailored to the material
- | Tailor-made perforated screen geometries

■ High throughput – low drive power consumption:

- | Tightest-possible cutter spacing, ensuring energy-saving shredding without causing machine jams
- | Feeder shaft to ensure a maximum self-cleaning effect and reduced shaft load
- | Separate drives for the cutter shaft and feeder shaft

■ Robust and long-lived:

- | Generously dimensioned, milled cutter shafts
- | Bulkhead seals to protect the shaft bearing from liquid and aggressive materials

■ Cost-effective, safe operation:

- | PLC unit featuring automated reverse and power down to protect the machine against damage from overloading or solid parts



ERDWICH

... SHREDDING UNLIMITED ...

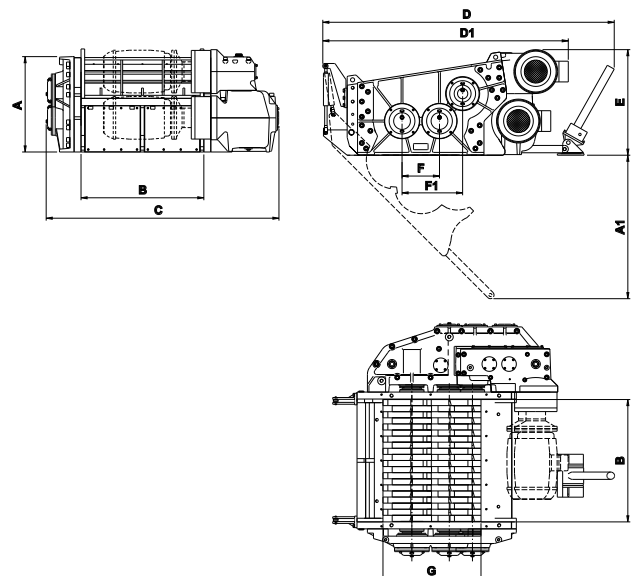
ERDWICH THREE-SHAFT-SHREDDER M-H480/3-750 M-H480/3-1000 M-H480/3-1250



Technical Data

Type	Number of shafts	Drive power in kW	Cutting unit size (LxW) mm	Weight (kg)	Diameter of punched sieve (mm)	Width of rotor knife (mm)
M480/3-750	3	2 x 22,0	758 x 815	5.635	60	50
M480/3-1000	3	2 x 22,0	1008 x 815	5.840	60	50
M480/3-1250	3	2 x 22,0	1258 x 815	6.350	60	50
H480/3-750	3	2 x 37,0 +1 x 22,0 2 x 37,0	758 x 815	5.510	60	50
H480/3-1000	3	2 x 37,0 +1 x 22,0 2 x 37,0	1008 x 815	5.720	60	50
H480/3-1250	3	2 x 37,0 +1 x 22,0 2 x 37,0	1258 x 815	6.230	60	50

Dimensions				
	Dimension	M480/3-750 H480/3-750	M480/3-1000 H480/3-1000	M480/3-1250 H480/3-1250
Cutting unit length B	mm	758	1008	1258
Cutting unit width G	mm	815	815	815
Cutting unit height A	mm	785	785	785
Total length C	mm	1660	1910	2160
Total height E	mm	870	870	870
Total width D1	mm	2015	2015	2015
Cutting unit width incl. operating panel for tiltable sieve basket D	mm	2395	2395	2395
Shaft Distanc F	mm	307	307	307
Shaft Distance transfer shaft F1	mm	497	497	497



Subject to technical changes.